

EnergyBoard_3x25



WIRELESS
THINGS

Energyboard 3x, 3x26A



WT E3026 DIN100

Made
in the EU

www.buildingwarden.com

Description

The EnergyBoard_3x25 module allows the measurement of active and apparent energy of 3-phase consumptions connected at the grid, rated at 220V, 25A, 50Hz per phase.

The module continuously accumulates the energy consumption and transfers the data to the network gateway connected to a PC, on which the management software is running and then to the internet WT dashboard application. If the distance between the module and the gateway is big, the module will automatically seek other, closer modules to send its data. If they are not available, in between relaying modules will be necessary.

Features

The module includes a 802.15.4 transceiver on 868MHz, an Msp430 microprocessor and an energy metering IC. The microprocessor runs a firmware for energy sampling and data routing. The module configuration options (e.g. sampling frequency) are done from the management software and transferred wirelessly to the module. The firmware of the module can be updated either through a USB connection or Over-The-Air (AirFlash).

The module is encased in a DIN rail box suitable for installing in electrical boards. It can be also screwed or hanged on walls thanks to the wall clips.

Specifications

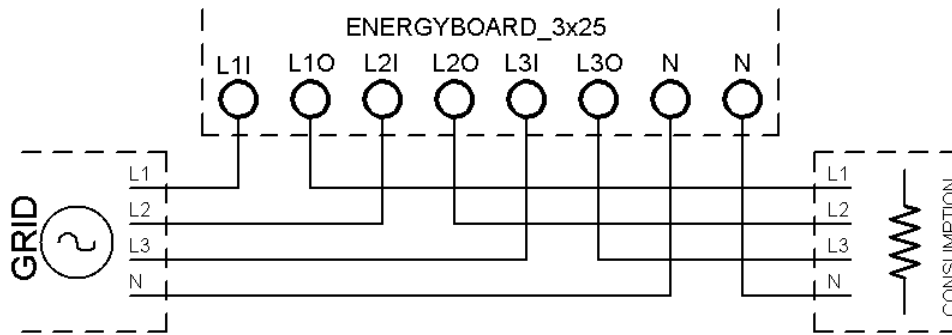
Name of the Product	EnergyBoard_3x25
Brief Description	Wireless device for energy measurement
Rated Supply voltage (V, Hz, A)	220V, 50Hz, 25A (per phase)
Weight	240gr
Size (H x L x W)	58mm X 90mm X 106mm
Connections	IN (x3), OUT (x3), N (x2)
Max. clock frequency	16MHz
Data transmission distance	500m (open air) to 10- 20m (within buildings)
Standards	LVD EN 50491-3 EMC/ RTTE (ETSI 301 489-3, ETSI 301 481-1, EN 50491-5-2)
Operating Temperature	+/- 40 Celsius
Operating Humidity	any
Enclosure	DIN rail box in grey color

Connections

L1I, L2I, L3I: current conductor from grid
L1O, L2O, L3O: current conductor to consumption
N: (x2 connected internally) neutral conductor

Connection data:

Conductor cross section min: 0.2 mm^2
Conductor cross section solid max: 4 mm^2
Conductor cross section stranded max: 2.5 mm^2
Stripping length: 8 mm



Coding

EnergyBoard_3x25 modules are coded as **WT E3025 DINxxx**

where:

xxx = version of EnergyBoard_3x25

Layout

Dimensions in mm.

